

LAUREL, JR.

Introducing Laurel Jr., premium seating created specially for children. At $\frac{3}{4}$ scale of adult seating, Laurel Jr. maintains all of the comfort, safety and utility that you have come to expect from August.

Its sofa, rectangular and segment chairs, benches and tables give you a complete selection of forms. Standing alone for individual seating or used together for group activities, Laurel Jr. gives you complete flexibility.

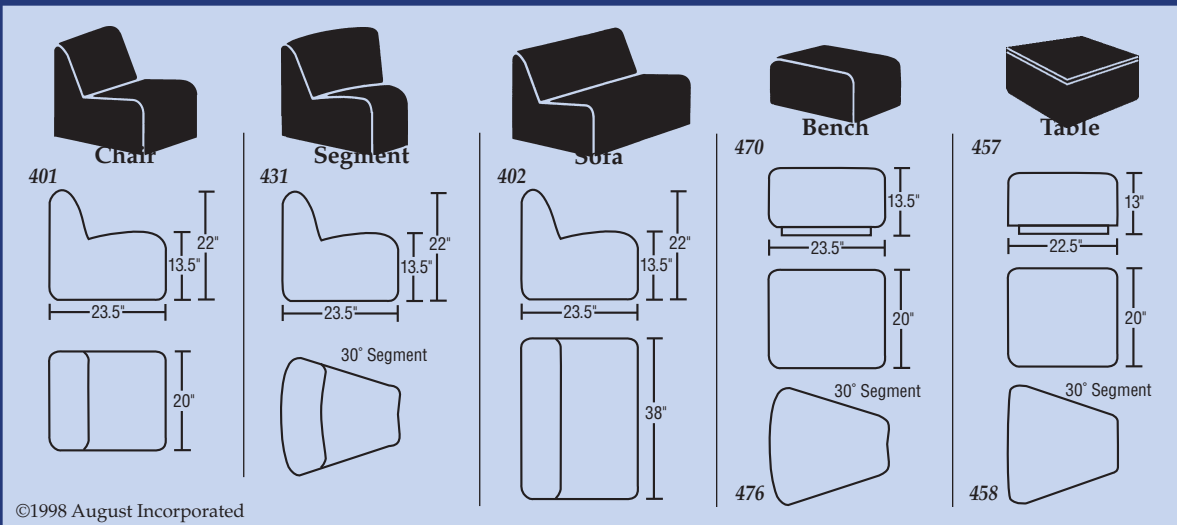
Coordinating with the adult Laurel Series or used by itself, Laurel Jr. is perfect for schools, libraries, medical, and daycare facilities. Or any place where there are children.

LAUREL, JR.

Designed with kids in mind™ Laurel Jr. offers features to meet young children's special needs to sit or play:

- sturdy frames that won't tip over
- comfortable, well supported seating
- foam cushioning on all sides under fabric.

Children's Seating Forms



- Removable covers allow you to change them for cleaning or replacement.
- Optional connectors help keep seating in place.

It's everything and more that you would ever want in children's furniture.

Replaceable Covers

